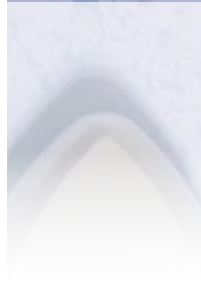


| | | | |
|--------|------|--|--|
| CI/SIB | | | |
| | (22) | | |

New Fresco Grey
Finish Available



Pace Range

Instant Availability | Easy to Install | Stylish Looks

Setting the Pace in Functional Washroom Solutions



Clean functional washroom solutions



Introducing the Tenon Washrooms Pace range – the new washroom cubicle system that combines high quality finishes and performance with exceptional value for money.



Pace includes a number of features that are normally only associated with more costly systems, including Tenon's unique full length door and wall channels, which conceal all site cut edges and offer strength and durability compared to individual fixing cleats. Pace also benefits from a stylish bullet shaped pedestal foot.

Instant Availability

Supplied as a series of off-the-shelf packs, Pace allows the installer to rapidly create a washroom solution to meet the needs of any project – on time and to budget. The One-Size-Fits-All packs are supplied with all necessary fixings and accessories. A comprehensive range of optional packs is also available to meet the needs of projects that require vanity units, duct wall panelling or enlarged cubicles that are designed to aid compliance with the Disability Discrimination Act (DDA).

Tenon Pace complements the aesthetics of any installation. Partitions, panels and vanity units are supplied in a Fresco Grey finish to blend with all colour schemes. Doors are manufactured in an attractive Fresco Blue design, offering a clean, fresh appearance. Wall duct and vanity access panels are also available in Fresco Blue to special order, as are other colours.

Now available with a matching Fresco Grey finish for the partitions.

**Please note that Fresco Blue vanity unit and duct panels are at additional cost*



Why Choose Tenon Pace?

Instant Availability

Pace is available ex-stock from a network of nationwide stockists, ensuring it is on site when you need it.

All in the Box

Supplied as a series of simple One-Size-Fits-All packs, Pace is supplied with all fixings and accessories necessary to complete the job.

Easy to Fit

Pace is designed with ease and speed of installation in mind. Full length wall and door channels conceal cut edges and eliminate fiddly cleat fixings.

Designed to Last

Durable extruded aluminium headrails and channels, plus abrasion resistant ABS edging offer long life.

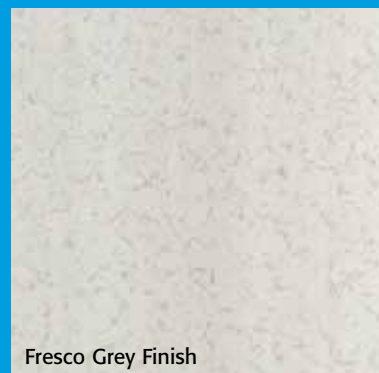
Sets the Pace

Rapid delivery, easy installation and stylish design features combine with exceptional value for money – to set the pace in washroom solutions.

Exceptional Value for Money

Pace offers stylish looks and has features normally only found on more costly systems – yet Pace is competitively priced to meet the budget of practically any project.

Truly setting the 'Pace'
in functional washroom
solutions



Fresco Grey Finish



Designing a Pace Washroom System

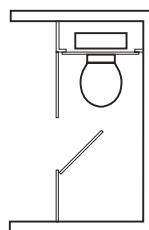
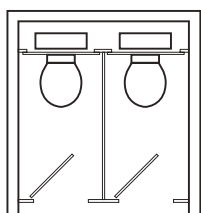
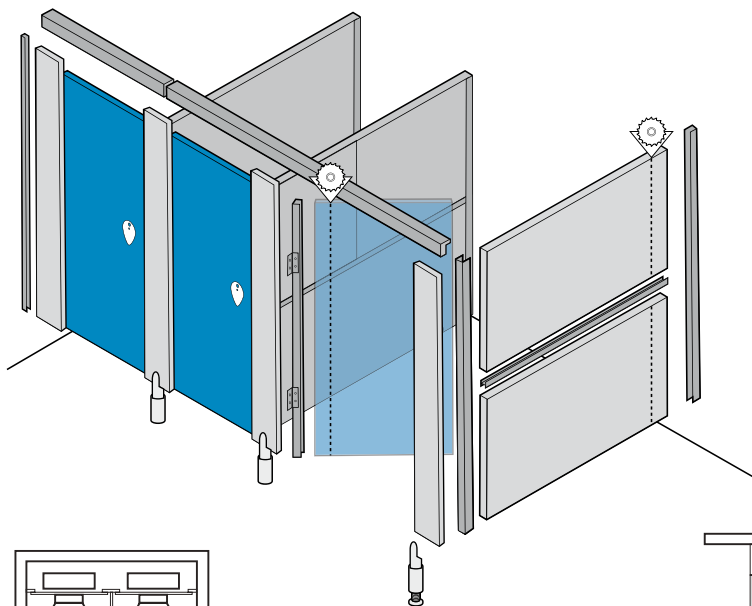
Tenon Pace is supplied off the shelf as a series of simple to install One-Size-Fits-All packs. These packs can be combined to create a washroom system to meet all types of projects. Pace can be installed by one person and trimmed in-situ to match site conditions.

Ordering the correct number of packs to complete each project is straightforward.

1. Take a look at the diagrams to identify the layout that suits the project, either cubicles "between walls" (table A) or installed "in a corner" (table B).
2. Using the maximum width shown as a guide, select the number of cubicles to install by reading across the top row.
3. Read down the column under the number of cubicles to determine how many of each pack are required.
4. For single 'in-line' or enlarged cubicles, refer to (table C).

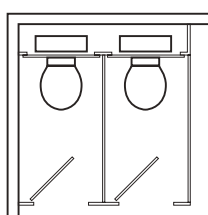
To select more cubicles or vanity units etc, please contact your local branch of CPD Distribution or visit www.tenonwashrooms.co.uk





| Table A - Between Walls | | | | | | | |
|-------------------------|----------|------------|-------------|-------|-------|-------|-------|
| | Door Ass | 1 B/W 1800 | 1 B/W 1800+ | 2 B/W | 3 B/W | 4 B/W | 5 B/W |
| Pack 1 | 1 | 1 | 1 | 2 | 3 | 4 | 5 |
| Pack 2 | 1 | 1 | 1 | 2 | 3 | 4 | 5 |
| Pack 3 | | 1 | 1 | 1 | 2 | 3 | 4 |
| Pack 11 | | | 1 | | | | |
| Pack 12 | | | 1 | | | | |
| Pack 19 | | | | 1 | | | |
| Pack 25 | 2 | | | | | | |
| Pack 27 | | | 1 | | | | |

| Table C - In-line Cubicle | | | |
|---------------------------|---------------|------------|-------------|
| Layout | Between Walls | | In a Corner |
| | Up to 1800 | Up to 2850 | 1950 |
| Pack 1 | 1 | 1 | 1 |
| Pack 2 | 1 | 1 | 1 |
| Pack 3 | 1 | 1 | 1 |
| Pack 11 | 0 | 1 | 1 |
| Pack 12 | 0 | 1 | 1 |
| Pack 27 | 0 | 1 | 1 |

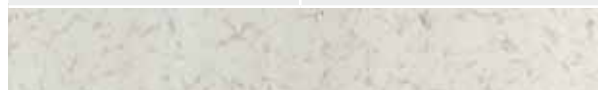


| Table B - In A Corner | | | | | |
|-----------------------|-------------|-------------|---------------|---------------|---------------|
| | 1 In Corner | 2 In Corner | 3 In A Corner | 4 In A Corner | 5 In A Corner |
| Pack 1 | 1 | 2 | 3 | 4 | 5 |
| Pack 2 | 1 | 2 | 3 | 4 | 5 |
| Pack 3 | 1 | 2 | 3 | 4 | 5 |

Standard Colours

Partition, Panels & Pilasters

Fresco Grey



Doors

Fresco Blue



Note: Vanity unit and wall duct access panels are available in Fresco Blue to special order.

Special Colours

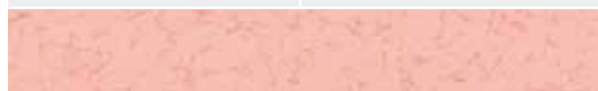
Doors

Fresco Green



Doors

Fresco Pink

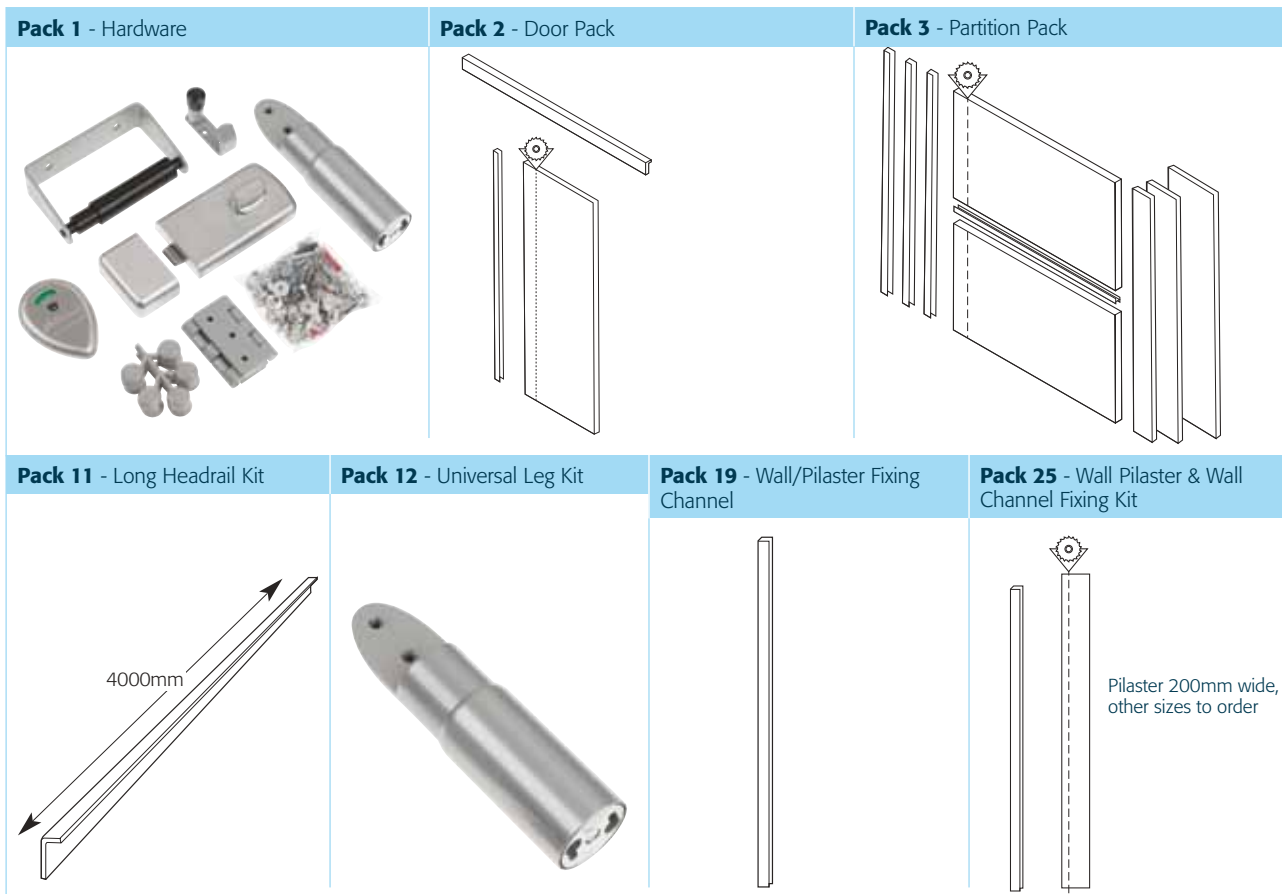


Note: Special colours are non-stock items and are available at additional cost and extended delivery lead times.



Standard Stock Pack

A comprehensive range of packs is available to add vanity units, wall duct panelling half height ducts and enlarged disabled/ambulant disabled cubicles, to any washrooms project. Visit www.tenonwashrooms.co.uk for full details



Doors

High grade, abrasion resistant 18mm melamine faced moisture resistant EN312-5 (V313) chipboard (MFC). Matching 2mm ABS edging. 900 x 1800mm.

Partitions

High grade, abrasion resistant 18mm melamine faced moisture resistant EN312-5 (V313) chipboard (MFC). Matching 2mm ABS edging. Two part - each panel 900 x 1800mm.

Pilasters

High grade, abrasion resistant 18mm melamine faced moisture resistant EN312-5 (V313) chipboard (MFC). Matching 2mm ABS edging with square edge finish.

Headrail, Wall/Door Channels

Extruded aluminium, satin grey powder coat paint finish.

Hardware

Chrome grey powder coat paint finish. (Indicator lock, lock keep, toilet roll holder, coat hook and bullet shaped pedestal foot). Injection moulded teardrop lock cover.

Standard Options - Ex-stock

WC cubicles

* Vanity units – Fresco Blue, Green & Pink panels are extra (pack 37)

* Outward opening doors required (pack 28) to convert standard door

For full details of special option products visit www.tenonwashrooms.co.uk for further details

| | | |
|---------|--------------------------------|-------------|
| Pack 1 | Hardware Pack | Fresco Grey |
| Pack 2 | Door Pack | Fresco Blue |
| Pack 3 | Partition Pack | Fresco Grey |
| Pack 11 | 4000mm Headrail Kit | |
| Pack 12 | Universal Leg | |
| Pack 19 | Wall Fixing Channel | |
| Pack 25 | Wall Pilaster & Fixing Channel | Fresco Grey |
| Pack 27 | Floor To Ceiling Post | |

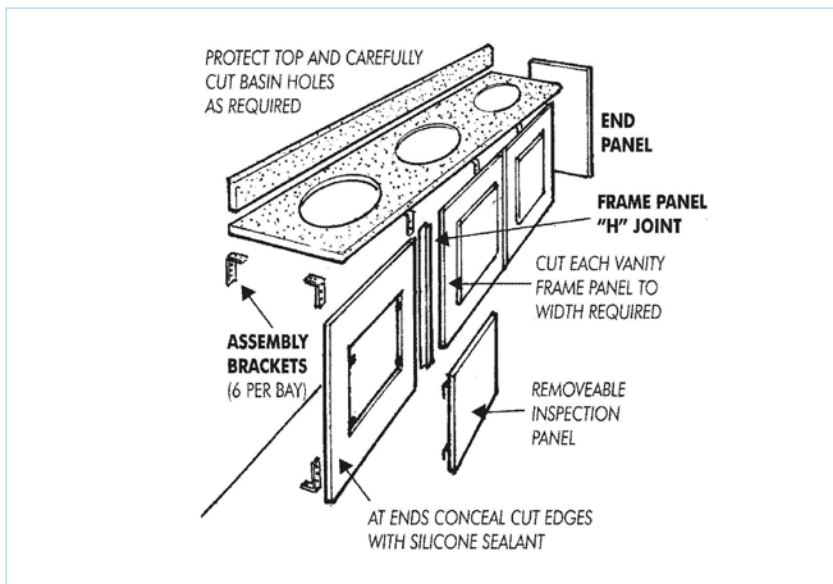
Tenon Washrooms also offer a 'System Solution' to many other washroom items

A complete range of "System Solutions" for washroom items is also available on request to accompany the 'off the shelf' Tenon Pace WC cubicles.

Vanity Units

A simple stylish bull nosed vanity top complete with a support frame and the option of access panels which match the door option selected.

- Example 3no Pack 36 under frames
- 3no Pack 37 Access panel (Blue)
- 1no Pack 7 3000mm top
- 1no Pack 14 end panel

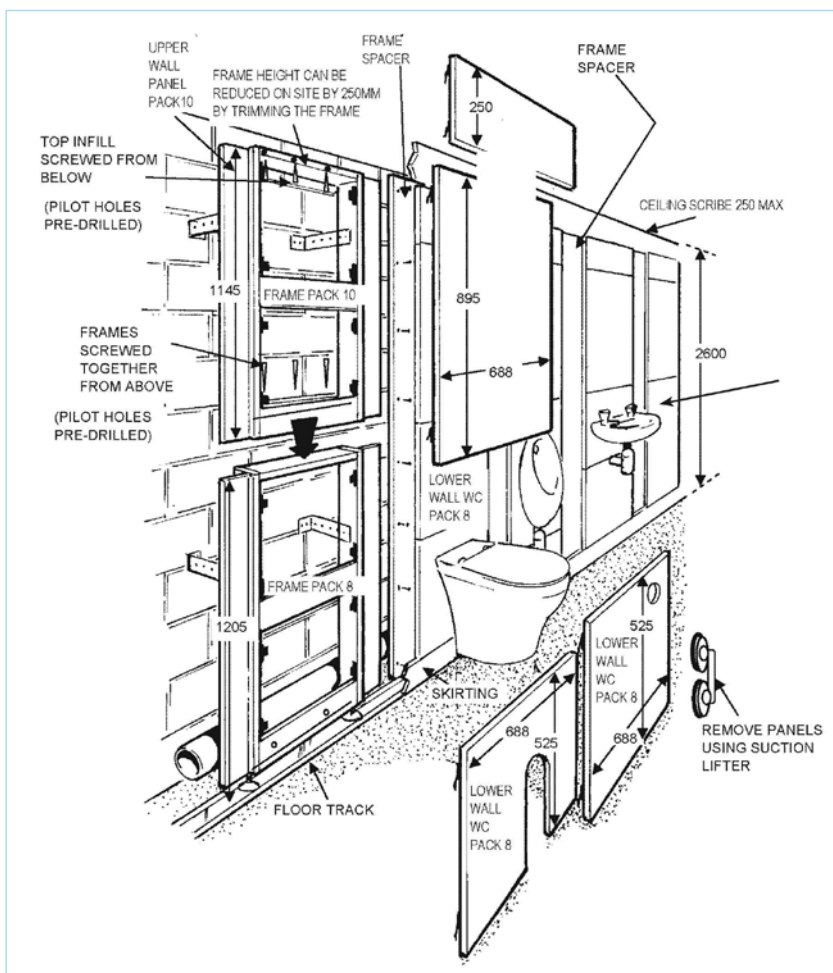


Complete half height and full height duct panel and frame sets

Tenon Washroom half height or full height duct panels are factory jugged to a plywood box support frame, which is fully adjustable and adaptable to suit site conditions.

Available in easy to handle boxes, the system is simple to understand and install, saving valuable fitting time on site.

Tenon Pace is the smart way to supply cost effective washroom solutions for any project.





Instant Availability | Easy to Install | Stylish Looks

www.tenonwashrooms.co.uk

Hillsborough Works, Langsett Road, Sheffield, S6 2LW
Tel: 0114 231 8030 Fax: 0114 231 8031



© Tenon Washrooms. A member of

